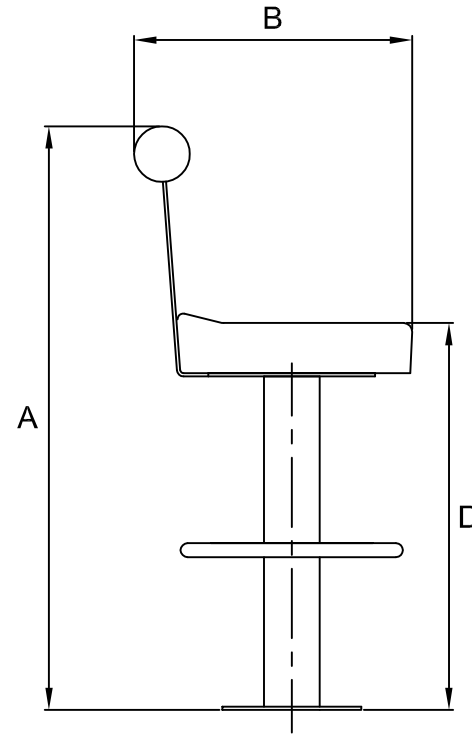
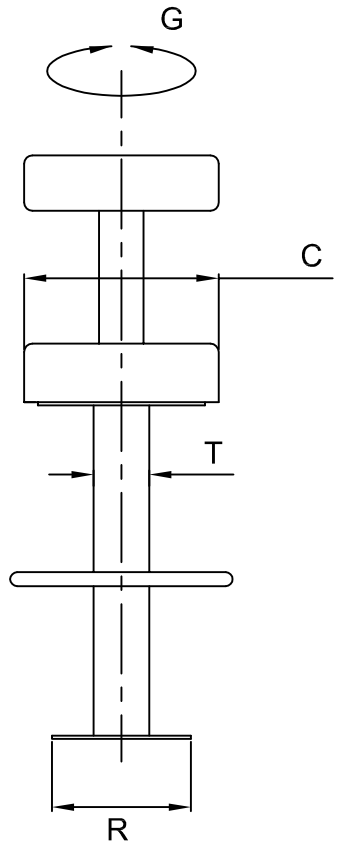


A (mm)	1050
B (mm)	500
C (mm)	350
D (mm)	≈ 700
G (°)	360
R (mm)	Ø 250
T (mm)	Ø 100
Weight (Kg)	26



The padding could vary the sizes of few centimeters

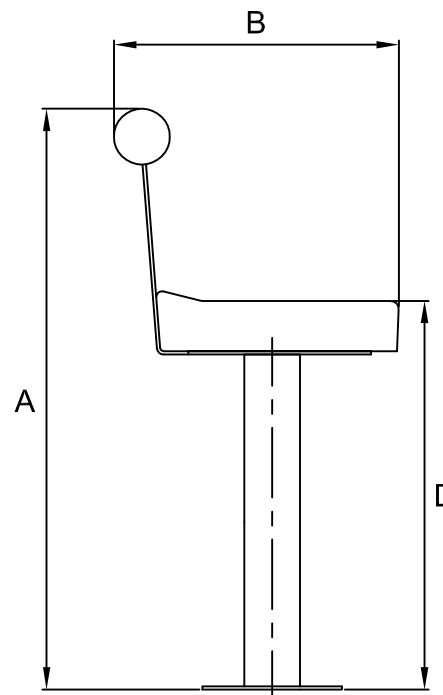
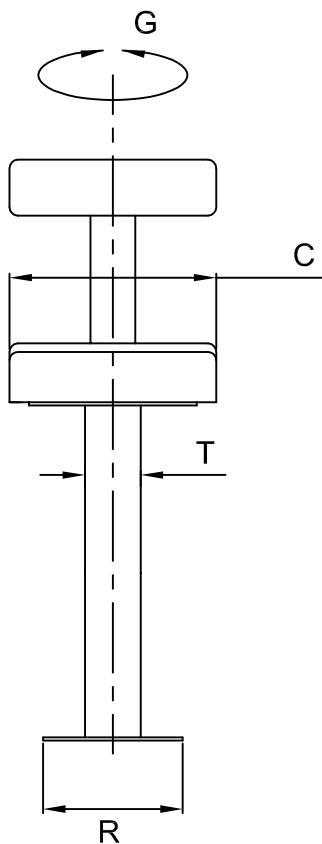


Product

**P 230**

**Helm Seat**

A (mm)	1040
B (mm)	510
C (mm)	370
D (mm)	≈700
G (°)	360
R (mm)	250x250
T (mm)	100x100
Weight (Kg)	26



The padding could vary the sizes of few centimeters



Product

**P 230 Q**

**Helm Seat**